

Unattended Bike Storage Options



Exposed Racks
(recommended for
indoor use only)



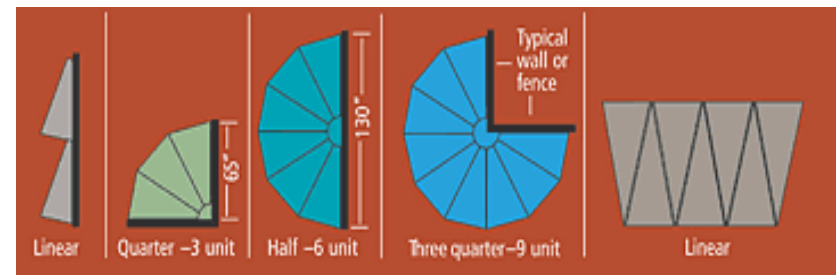
Partial
Shelters



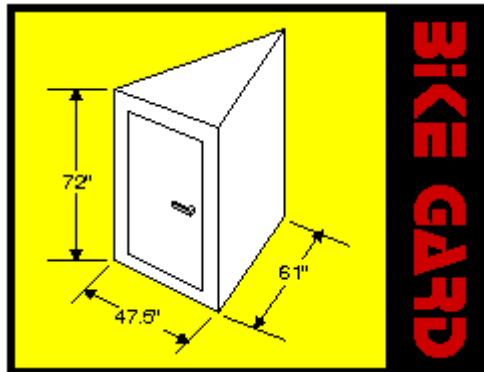
Full
Enclosures



Vertical
Enclosures



Vertical Storage Lockers



Costs (Bike Gard):

\$695 ea – Locker bay (8 bays in a full octagon)

\$40 ea. - Assembly

\$3900/\$2000 – Delivery (Dedicated/Shared)

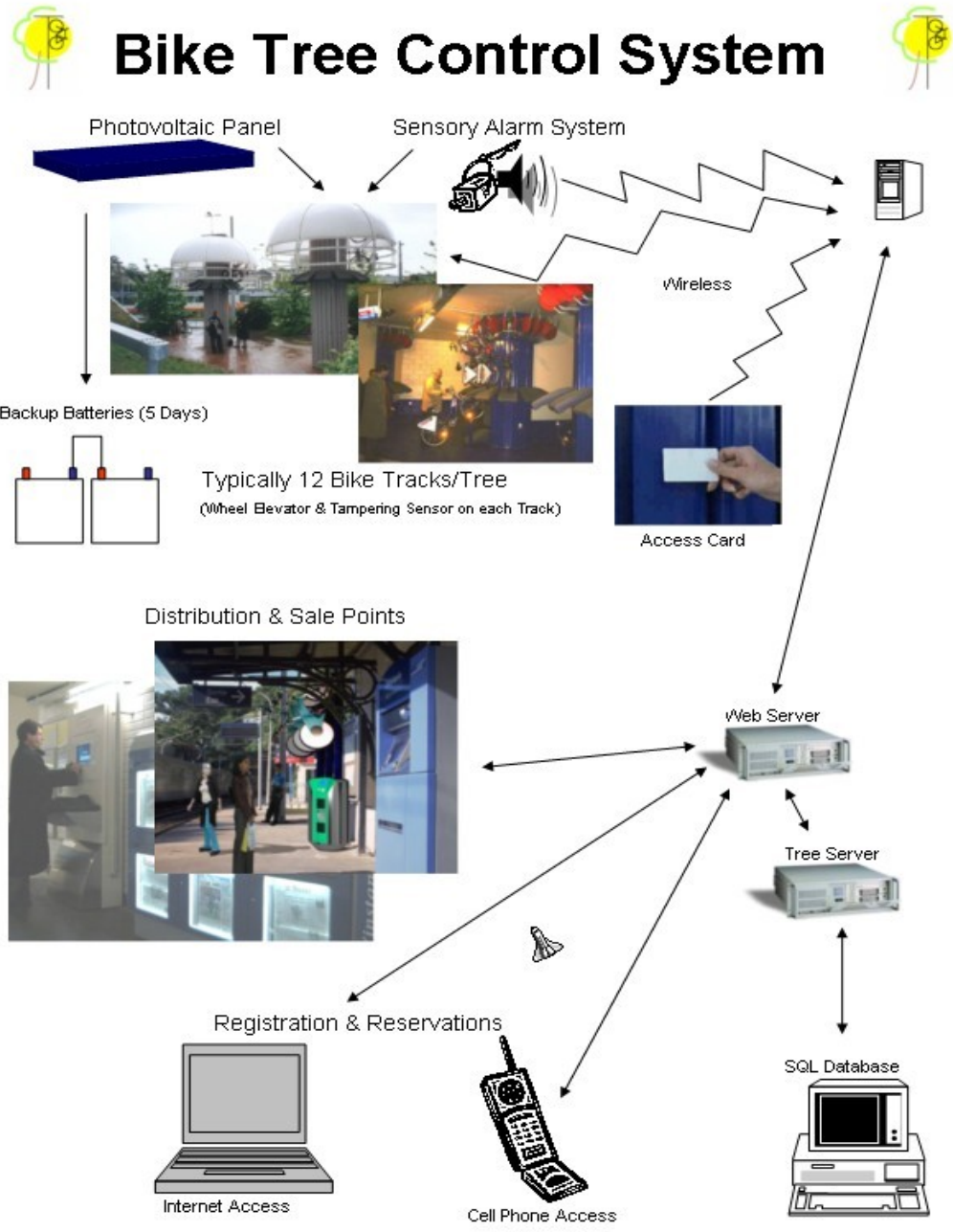
\$9780/7880 – Total (Dedicated/Shared Delivery)

\$1000-1200 per bike

Bike Tree



Typical Tree Configuration holds 12 bikes



Siting Recommendations

Unsheltered racks will not get used enough to be worth purchasing.
(Racks can be used indoors in secure areas though)

Site a Locker Cluster at Haze-Ruby McQuain Waterfront Park
Would serve bus riders, bike commuters, students and park users
Gives Bartlett House clients a safe place to leave bikes overnite

Site a Bike Gard Cluster or Bike Tree in the downtown area
Serves shoppers, students and commuters
Possible sites include Courthouse, Forest Street, Parking Garages

Survey retail, business and campus locations as to suitability for
additional lockers and bike trees. These should be placed on the
North side of buildings to provide shelter from sun and storms.

Additional Options

Use Vacant indoor space
City Hall has rooms, lockers and showers in the basement
This could be a complete commuter facility (including laundry?)

Site individual lockers in spaces around downtown
Rather than clustering all of the lockers in one location